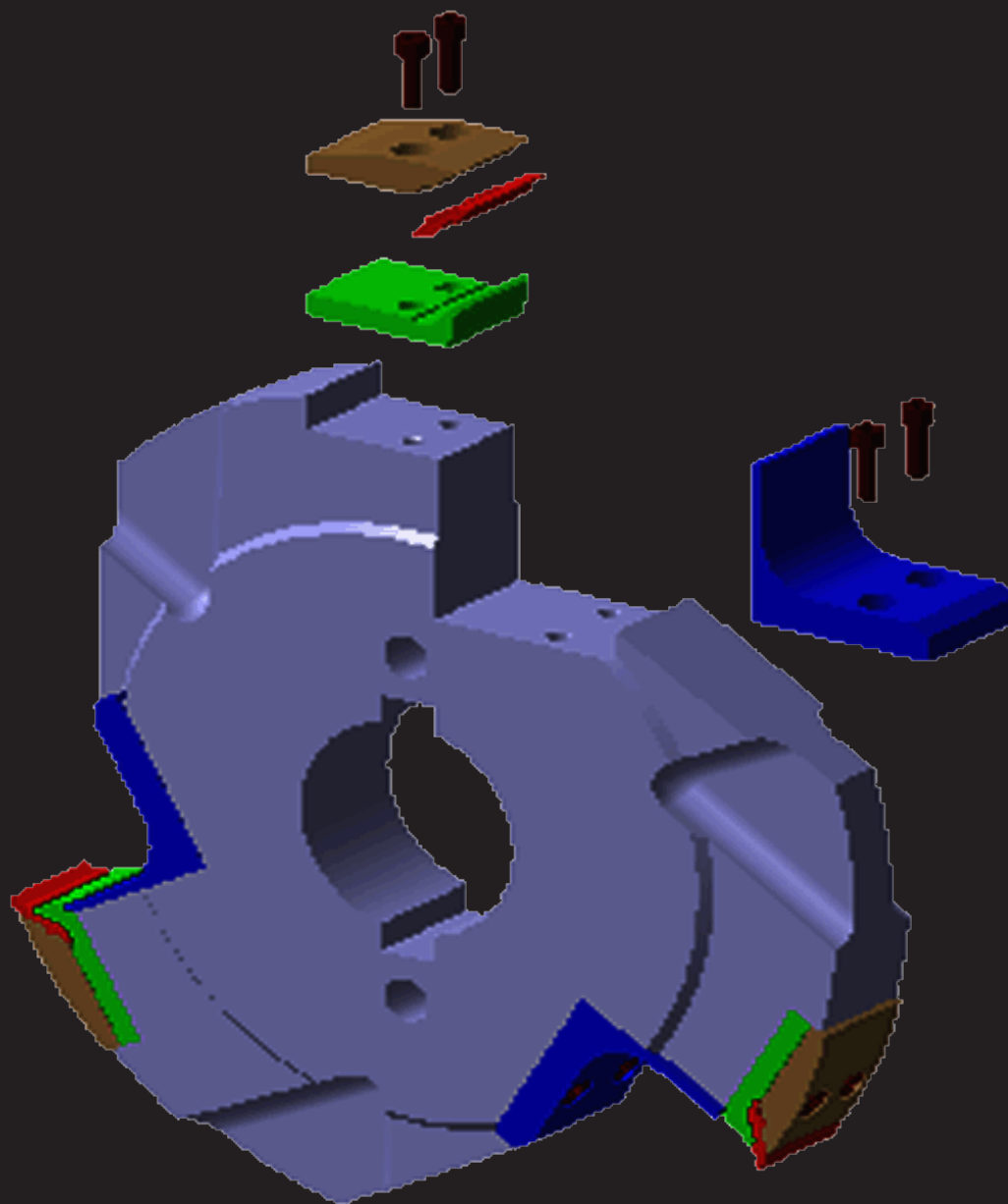


Tooling



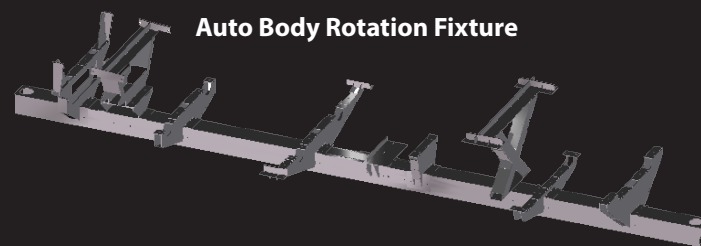
Tooling

Auto Body Rotating Fixture

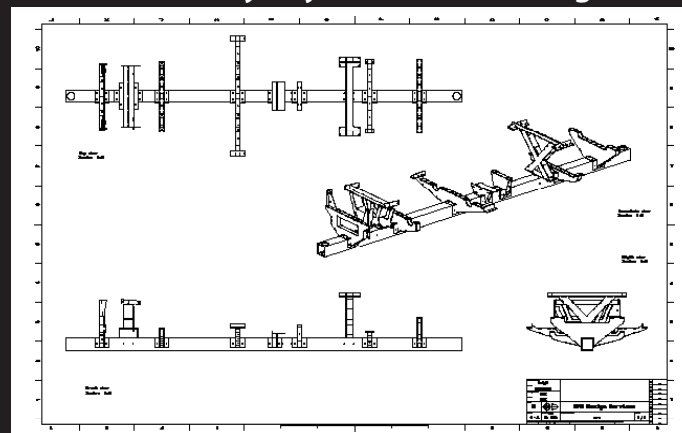
I have hands on experience in tool build and machining practices. The advantage is understanding downstream development activities.

Not only can I take your ideas to design but I can provide if needed design changes that have a real cost saving value.

With over 20 years in product design I can easily collaborate with your team to achieve proposals and or final designs. Or I can take the ball and run with it.

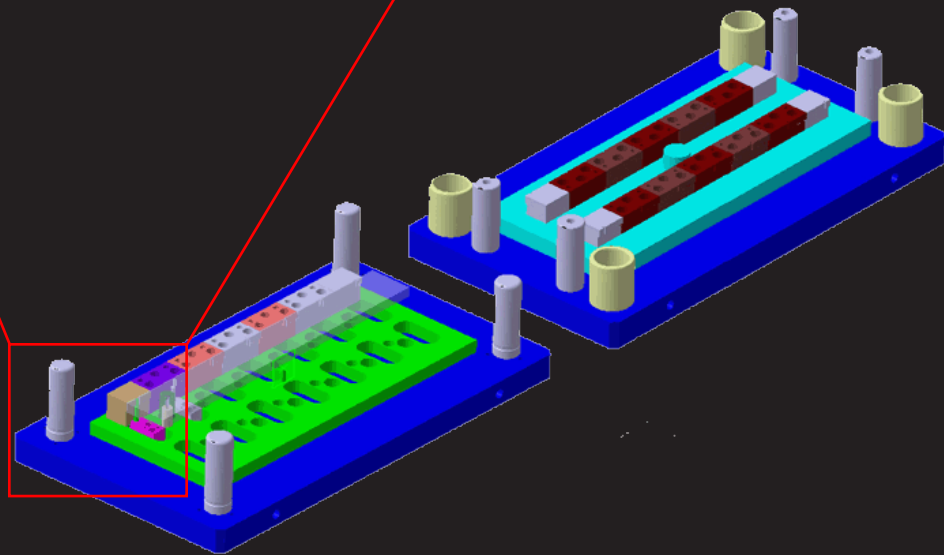
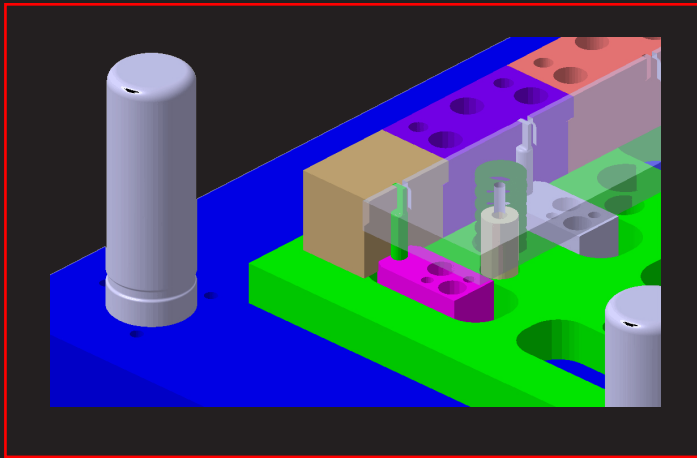


Assembly/Layout/Detail Drawings



Tooling

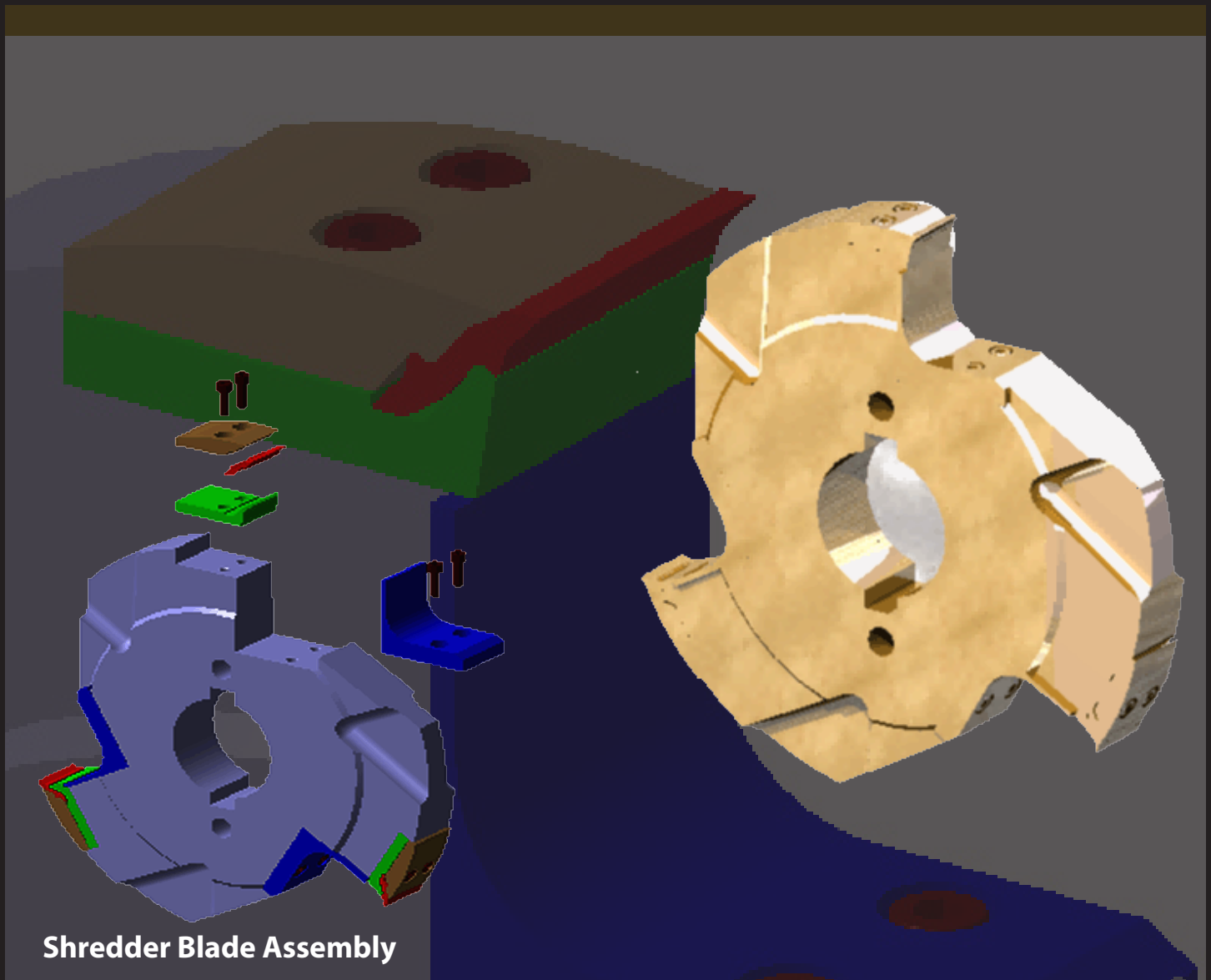
Tool and Die



Tooling

Shredder Cutter Assembly

This project was done for a presentation in Florida. The manufacture built and sold tree shredders.



Shredder Blade Assembly



Tooling

*For more information please feel free to contact us
at:*

RPM3DDesign@gmail.com

